

FIGURE H 512 MULTI-FLANGE BEAM CLAMP & APPLICATION

MATERIAL : CARBON STEEL

FINISH : ELECTRO - GAVANIZED, HOT DIP - GAVANIZED

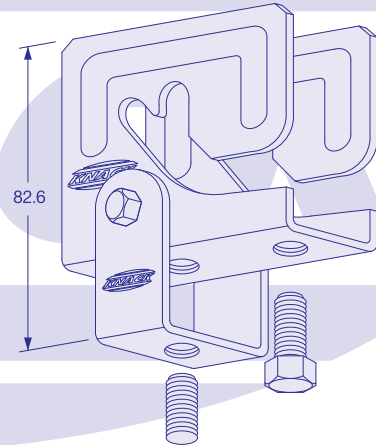
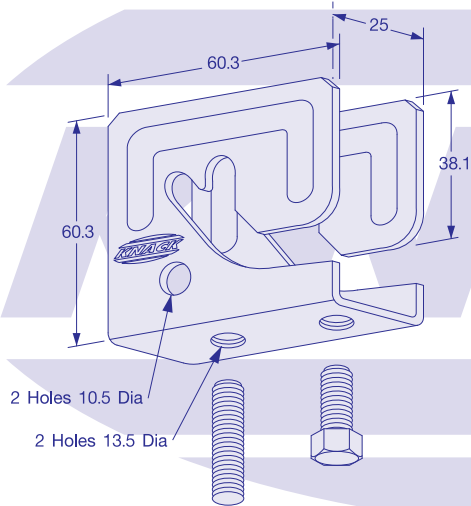
ISO 9001:2000



CERTIFICATE NO. 157505

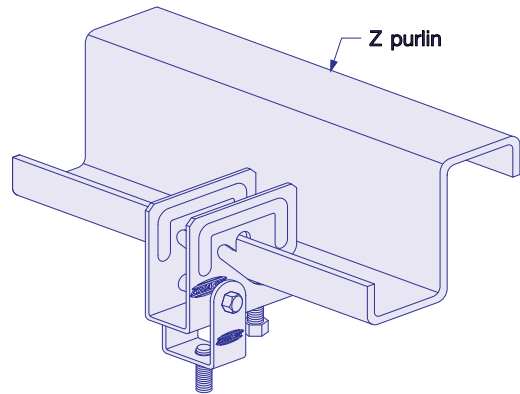
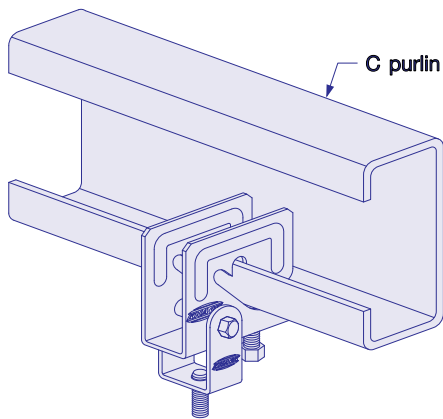
MULTI-FLANGE BEAM CLAMP

APPLICATION



APPLICATION HORIZONTAL BEAM

APPLICATION HORIZONTAL BEAM



CLEVIS HANGER FOR MULTI-BEAM CLAMP

APPLICATION SIDE VIEW

