

FIGURE H 511 BEAM CLAMP & APPLICATION

MATERIAL : CARBON STEEL

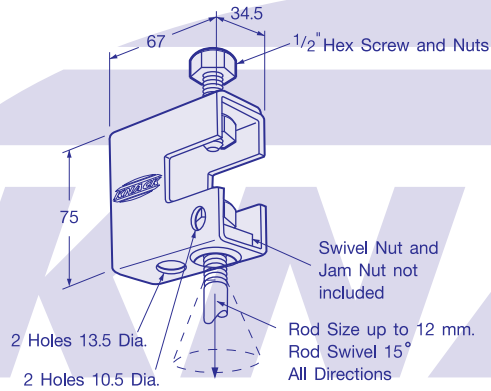
FINISH : ELECTRO - GAVANIZED, HOT DIP - GAVANIZED

ISO 9001:2000

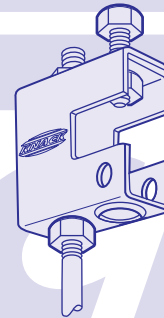


CERTIFICATE NO. 157505

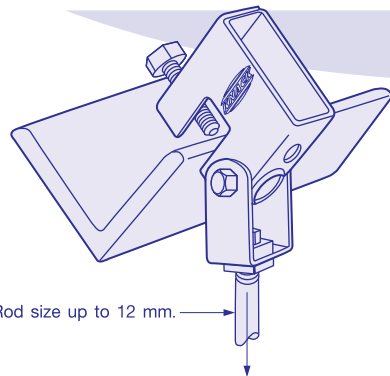
BEAM CLAMP



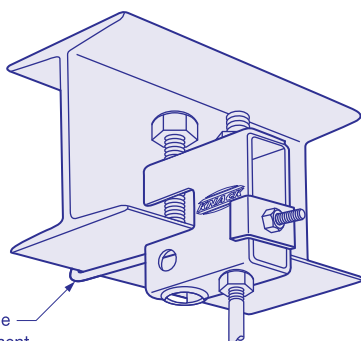
BEAM CLAMP



APPLICATION



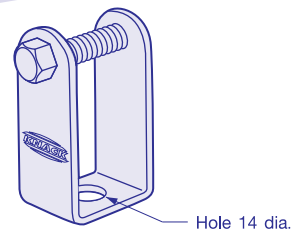
APPLICATION HORIZONTAL BEAM



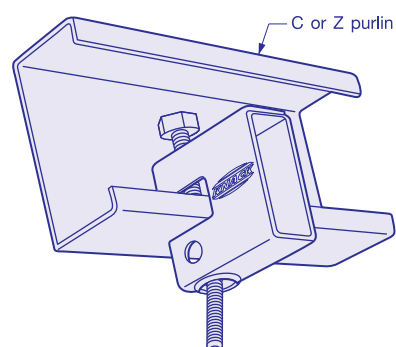
SWIVEL NUTS



CLEVIS HANGER FOR BEAM CLAMP



APPLICATION SLOPING PURLIN



SIZE	
INCH	MM.
1/4	6.3
5/16	7.9
3/8	9.5
1/2	12.7