

FIGURE H 111 CONTINUOUS THREADED ROD

MATERIAL : CARBON STEEL
FINISH : ELECTRO - GAVANIZED

ROD SIZE		LENGHT	
INCH	MM.		
3/8	9.5	1000	1500
1/2	12.7	1000	1500
5/8	15.9	1000	1500
3/4	19	1000	1500
7/8	22.2	1000	1500
1	25.4	1000	1500
1 1/4	31.7	1000	1500

FIGURE H 222 ROD COUPLING

MATERIAL : CARBON STEEL
FINISH : ELECTRO - GAVANIZED

ROD SIZE		LENGHT
INCH	MM.	
3/8	9.5	40
1/2	12.7	40
5/8	15.9	50
3/4	19	50
7/8	22.2	50

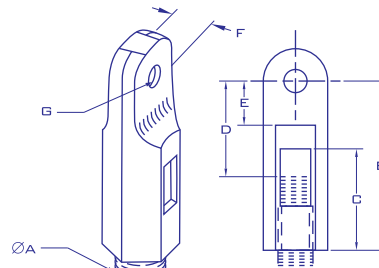
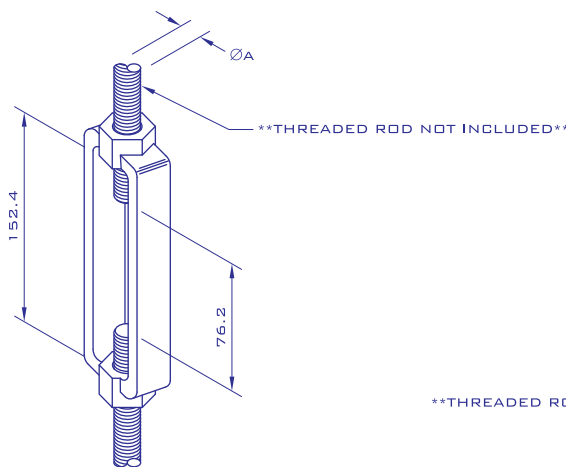


FIGURE H 333 TURNBUCKLE

MATERIAL : DUCTILE CAST IRON
FINISH : ELECTRO - GAVANIZED

ROD SIZE A	
INCH	MM.
3/8	9.5
1/2	12.7
5/8	15.9
3/4	19
7/8	22.2
1	25.4
1 1/4	31.7

FIGURE H 444 EXTENSION PIECE

MATERIAL : DUCTILE CAST IRON
FINISH : ELECTRO - GAVANIZED

ROD SIZE A		B	C	D	E	F	G
INCH	MM.						
3/8	9.5	52.4	31.7	31.7	14.3	9.7	12.7
1/2	12.7	58.7	34.9	34.9	17.5	12.9	12.7
5/8	15.9	61.9	38.1	36.5	19	12.9	12.7
3/4	19	73	44.4	42.9	22.2	12.9	12.7
7/8	19	76.2	47.6	44.4	22.2	16	14.3