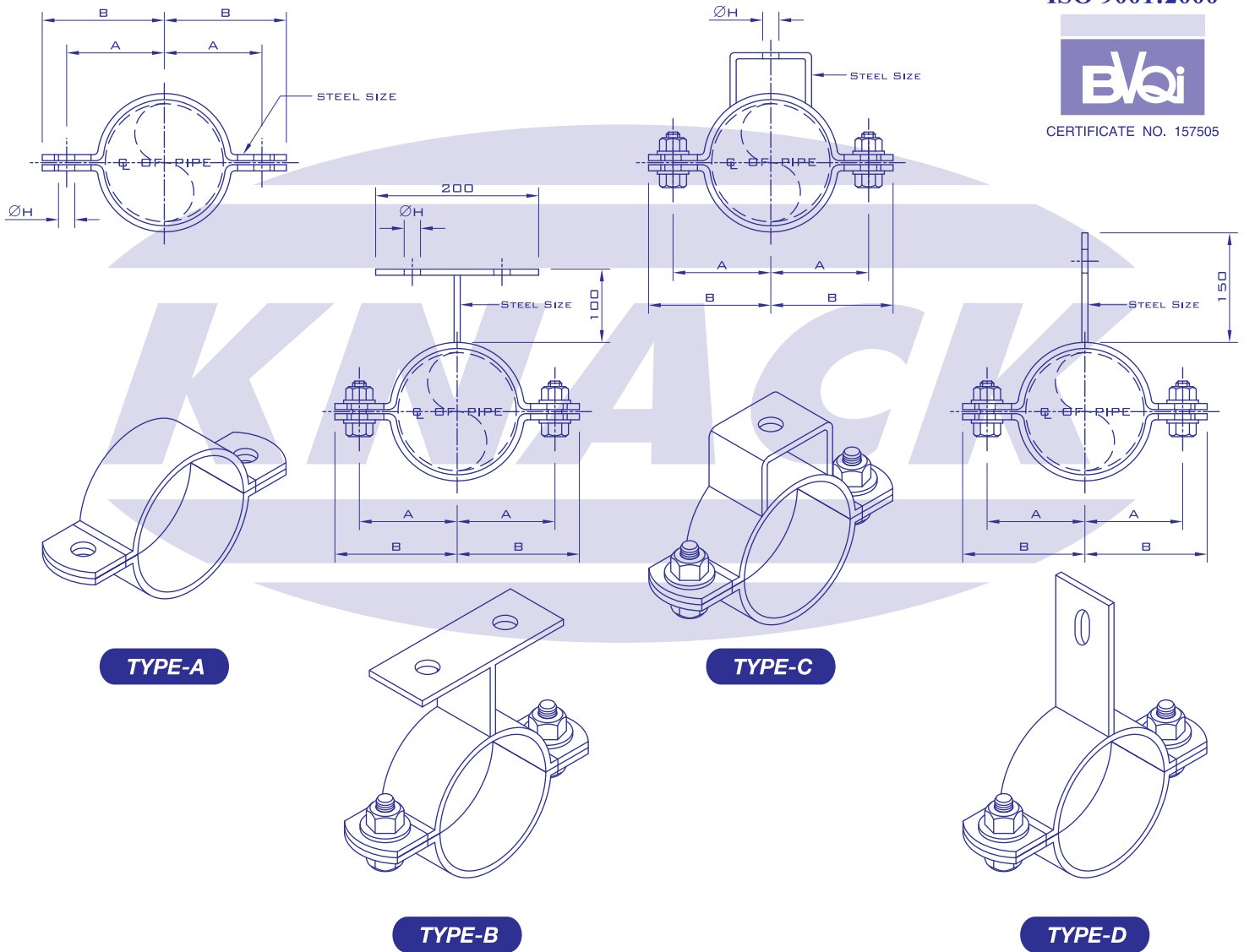


ISO 9001:2000



CERTIFICATE NO. 157505



TYPE-A

TYPE-C

TYPE-B

TYPE-D

FIGURE H 553 PIPE CLAMP

MATERIAL : CARBON STEEL

FINISH : PLAIN, PAINT, ELECTRO-GAVANIZED, HOT DIP - GAVANIZED, PLASTIC COATED

CONFORMS WITH : SPECIFICATION WW-H-171E (TYPE 4) MSS SP-69 (**TYPE-A ONLY**)

NOMINAL PIPE SIZE		STEEL SIZE	BOLT SIZE		HOLE SIZE H	A	B
INCH	MM.		INCH	MM.			
4	100	6 x 50	1/2	12.7	17	91	110
5	125	6 x 50	1/2	12.7	17	105	124
6	150	6 x 50	1/2	12.7	17	125	148
8	200	6 x 50	1/2	12.7	17	154	176
10	250	6 x 50	1/2	12.7	17	187	216
12	300	6 x 50	1/2	12.7	17	214	243