



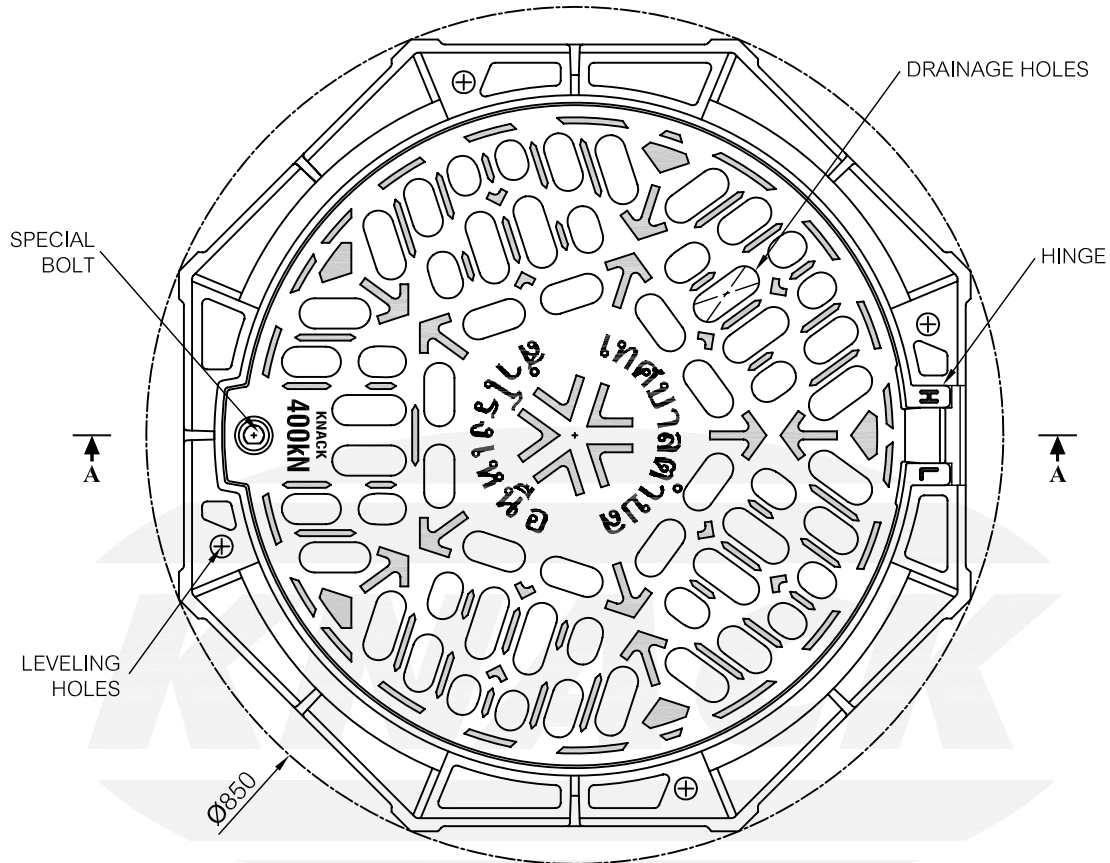
บริษัท แหนค ส. เจริญกิจ จำกัด
KNACK S. CHAREONKIJ CO.,LTD.

MANHOLE GRATE

MODEL : HEAVY DUTY 600 MM.

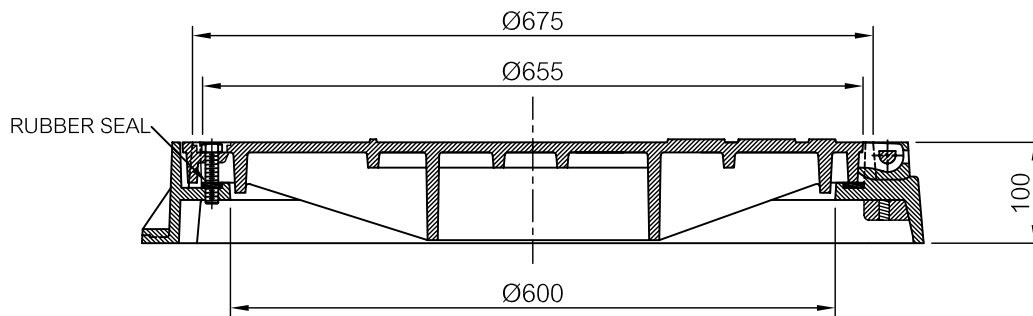
ISO 9001

BUREAU VERITAS
Certification



TOP VIEW

SCALE 1 : 7.5



SECTION A-A

SCALE 1 : 7.5

*Capacity Load = 40 Ton

MATERIAL

DUCTILE CAST IRON COMPLY WITH ISO 1083 GRADE 500-7

FINISHING

COATING WITH ACRYLIC MATT # BLACK COLOR

CONFORMS WITH BS EN124

III DIMENSION IN MM. III