



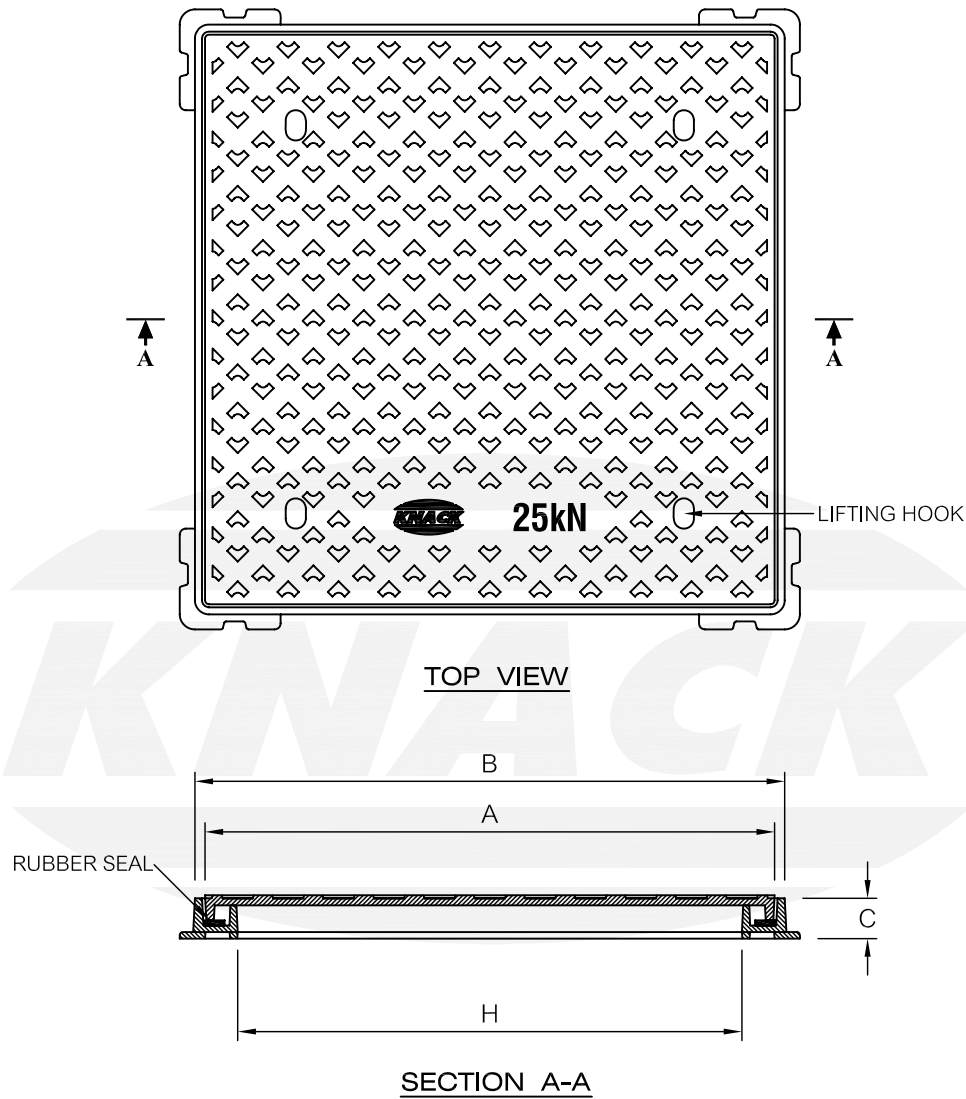
บริษัท แหน็ค ส. เจริญกิจ จำกัด  
KNACK S. CHAREONKIJ CO.,LTD.

MANHOLE COVER

MODEL : SD-LIGHT DUTY

ISO 9001

BUREAU VERITAS  
Certification



| SERIES NO. | A    | B    | C  | H    |
|------------|------|------|----|------|
| 300        | 365  | 385  | 40 | 300  |
| 400        | 465  | 485  | 40 | 400  |
| 500        | 565  | 585  | 40 | 500  |
| 600        | 665  | 685  | 40 | 600  |
| 800        | 865  | 885  | 47 | 800  |
| 1000       | 1065 | 1085 | 47 | 1000 |

\*Capacity Load = 2.5 Ton

MATERIAL

DUCTILE CAST IRON COMPLY WITH ISO 1083 GRADE 500-7

FINISHING

COATING WITH ACRYLIC MATT # BLACK COLOR

III DIMENSION IN MM. III