



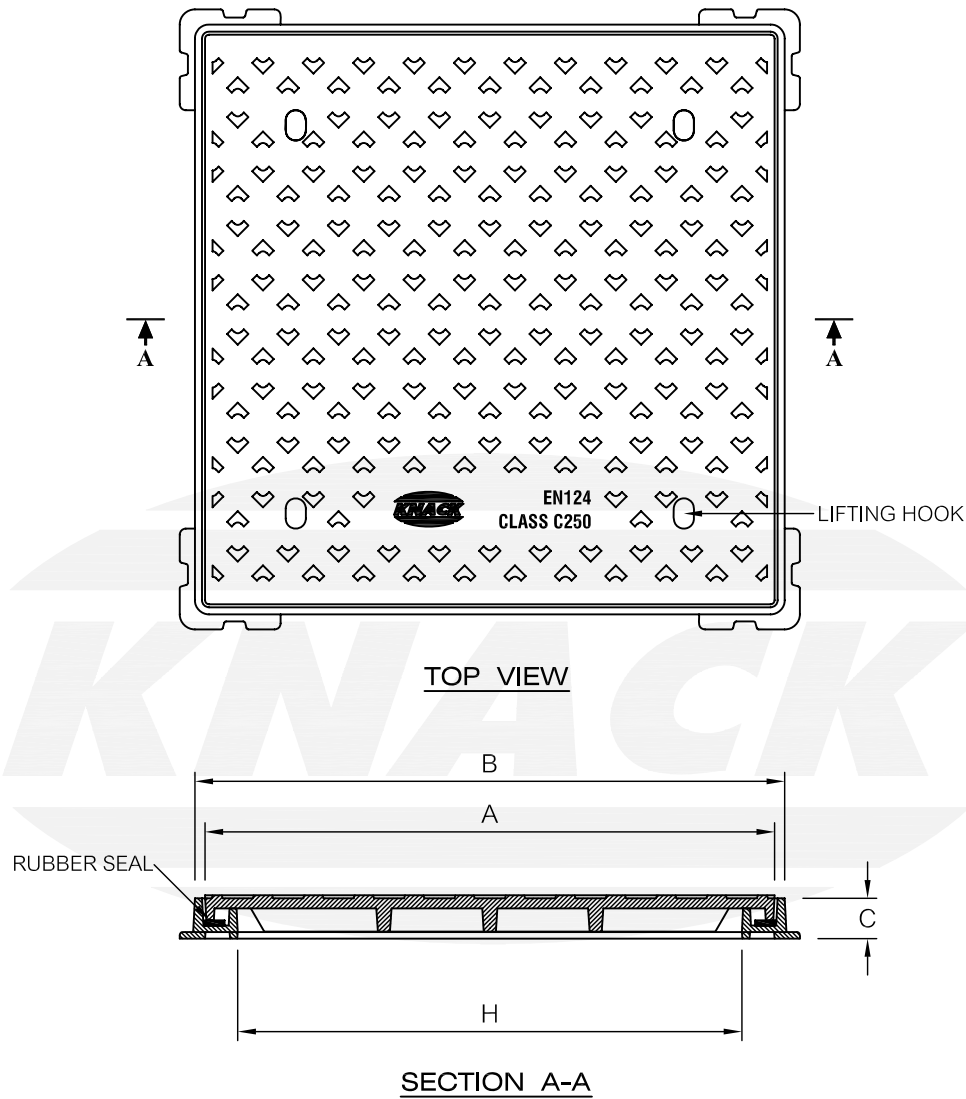
บริษัท แหน็ค ส. เจริญกิจ จำกัด
KNACK S. CHAREONKIJ CO.,LTD.

MANHOLE COVER

MODEL : SD-HEAVY DUTY

ISO 9001

BUREAU VERITAS
Certification



SERIES NO.	A	B	C	H
300	365	385	40	300
400	465	485	40	400
500	565	585	40	500
600	665	685	40	600
800	865	885	47	800
1000	1065	1085	47	1000

*Capacity Load = 25 Ton

MATERIAL

DUCTILE CAST IRON COMPLY WITH ISO 1083 GRADE 500-7

FINISHING

COATING WITH ACRYLIC MATT # BLACK COLOR

CONFORMS WITH BS EN124

III DIMENSION IN MM. III