



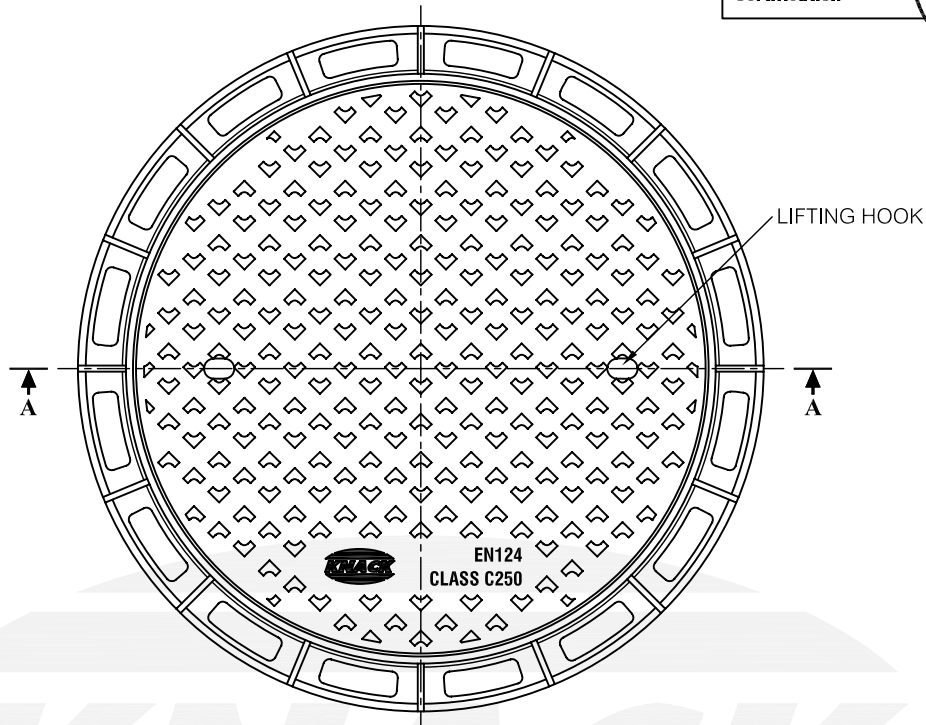
บริษัท แหน็ค ส. เจริญกิจ จำกัด
KNACK S. CHAREONKIJ CO.,LTD.

MANHOLE COVER

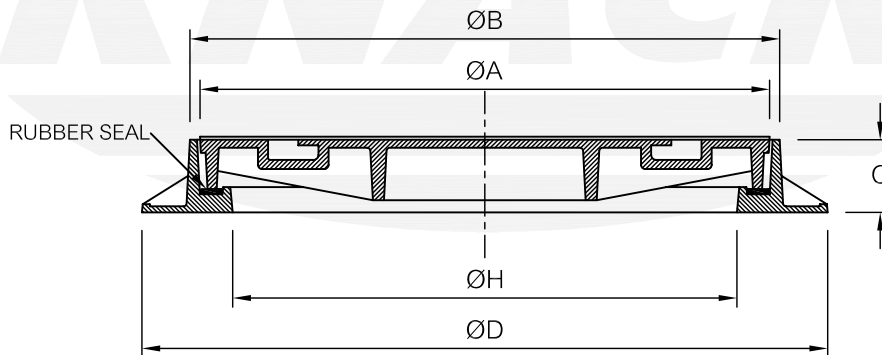
MODEL : CD-HEAVY DUTY

ISO 9001

BUREAU VERITAS
Certification



TOP VIEW



SECTION A-A

SERIES NO.	ØA	ØB	C	ØD	ØH
300	365	385	62	480	300
400	465	485	62	580	400
500	565	585	72	680	500
600	665	685	72	780	600
800	865	887	82	980	800
1000	1065	1087	82	1180	1000

*Capacity Load = 25 Ton

MATERIAL

DUCTILE CAST IRON COMPLY WITH ISO 1083 GRADE 500-7

FINISHING

COATING WITH ACRYLIC MATT # BLACK COLOR

CONFORMS WITH BS EN124

III DIMENSION IN MM. III