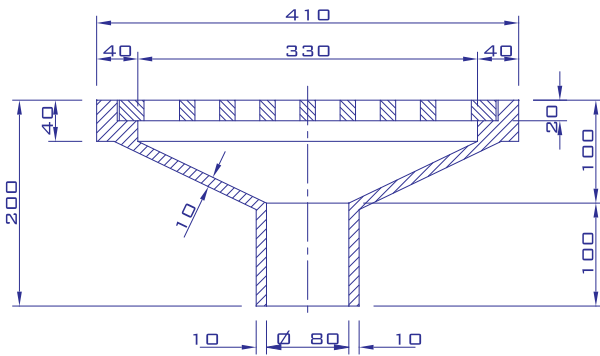
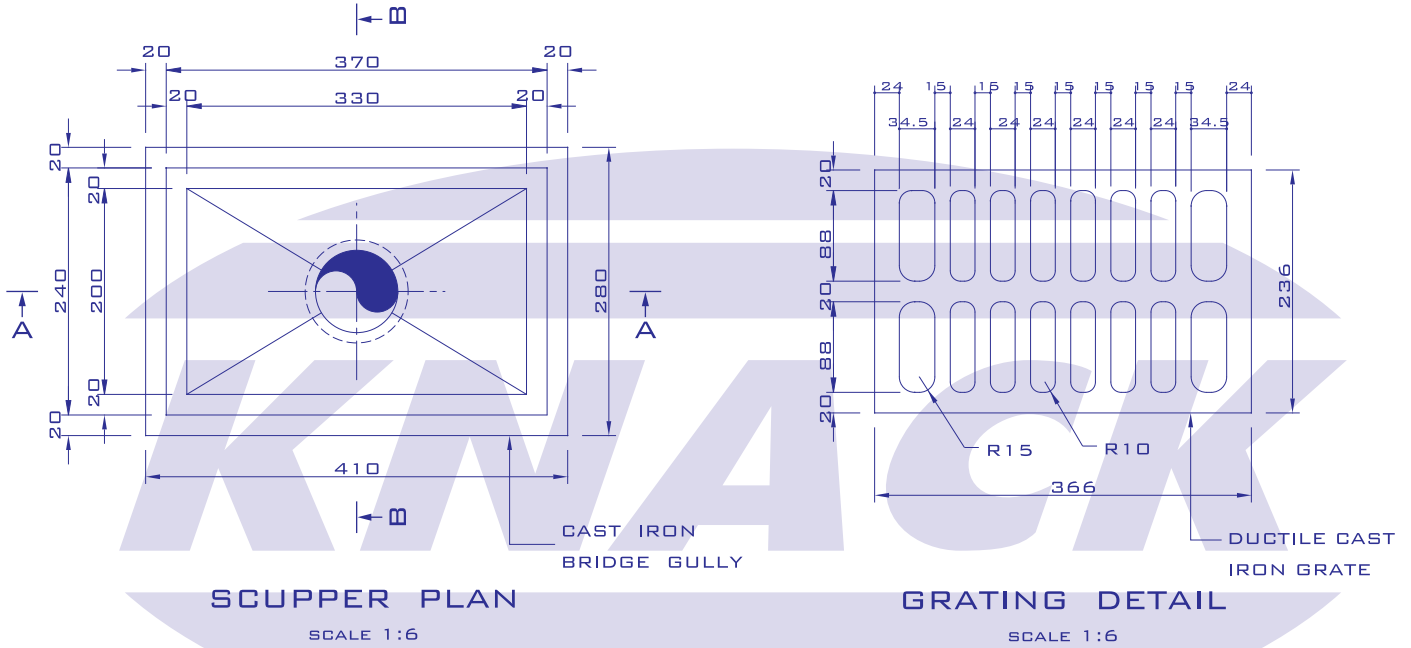


MODEL B17

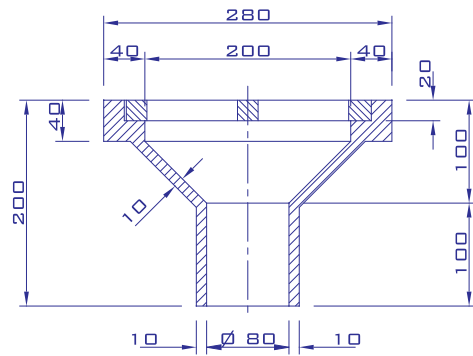
ISO 9001:2000



CERTIFICATE NO. 157505



SECTION A - A
SCALE 1:6



SECTION B - B
SCALE 1:6