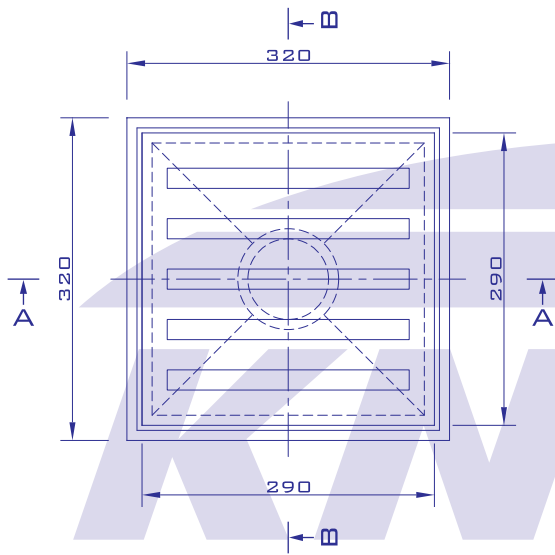


MODEL B14

ISO 9001:2000

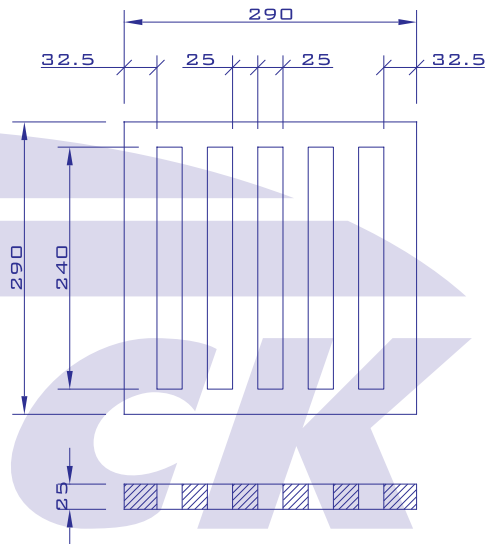


CERTIFICATE NO. 157505



TOP VIEW

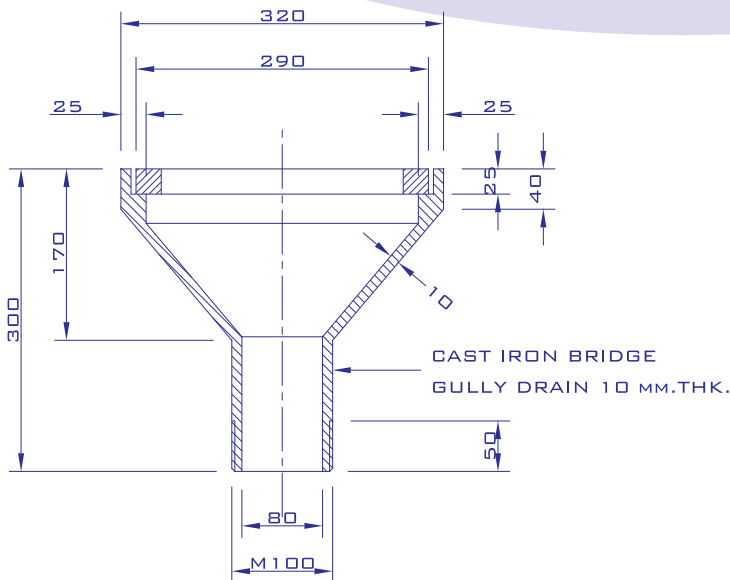
SCALE 1:7.5



GRATING DETAIL

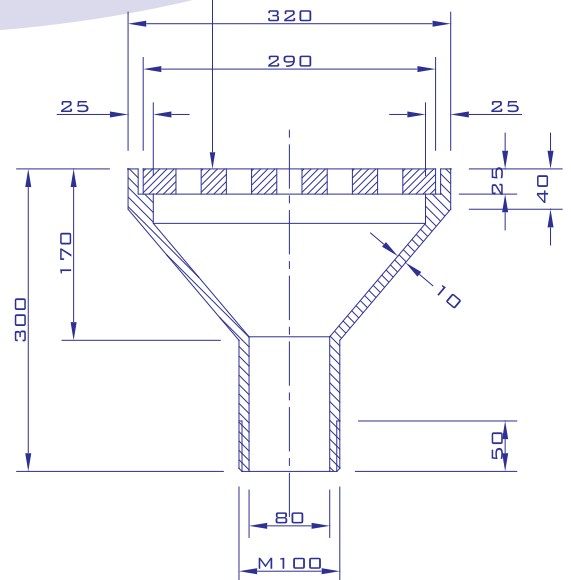
SCALE 1:7.5

DUCTILE CAST IRON GRATE



SECTION A - A

SCALE 1:7.5



SECTION B - B

SCALE 1:7.5