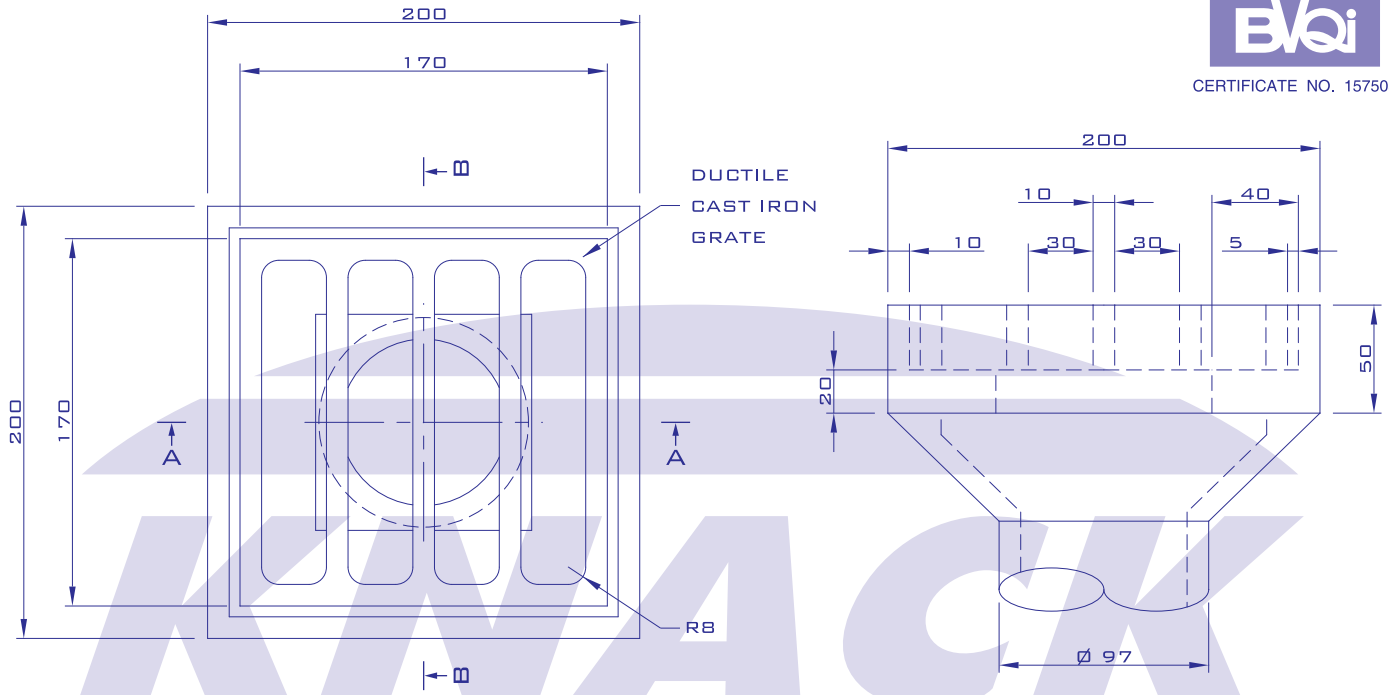


MODEL B02

ISO 9001:2000



CERTIFICATE NO. 157505

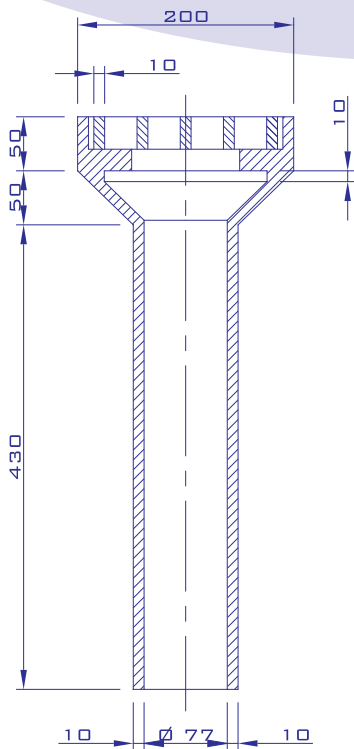


TOP VIEW

SCALE 1:3.5

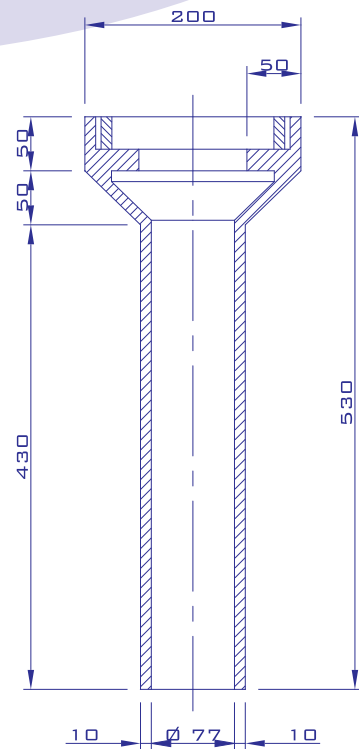
SIDE VIEW

SCALE 1:3.5



SECTION A-A

SCALE 1:7



SECTION B-B

SCALE 1:7