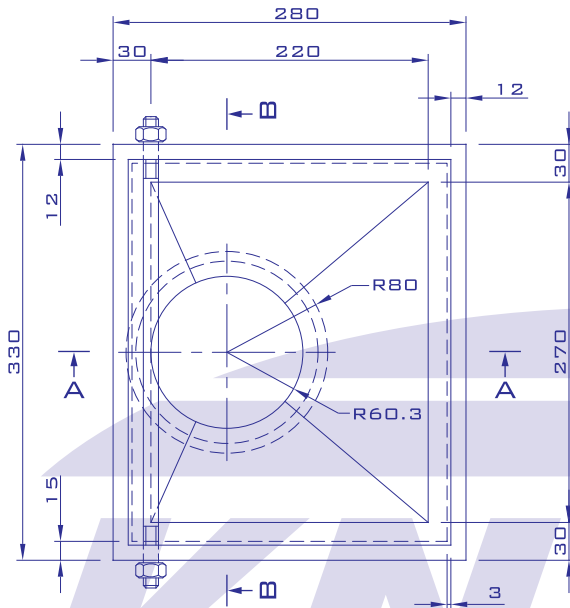


MODEL B01

ISO 9001:2000



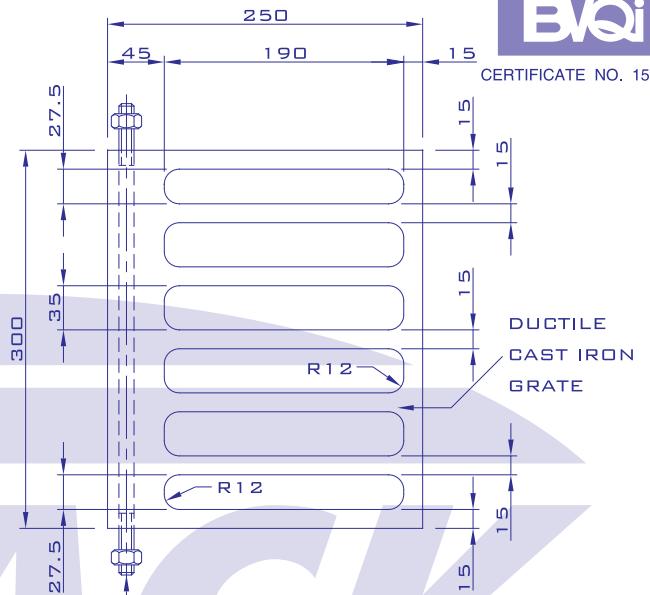
CERTIFICATE NO. 157505



SCUPPER PLAN

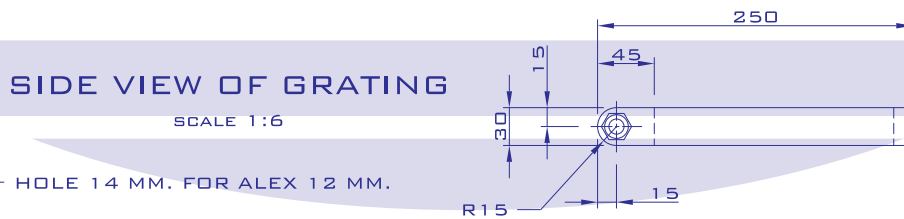
SCALE 1:6

ALEX SIZE 12 MM.



GRATING DETAIL

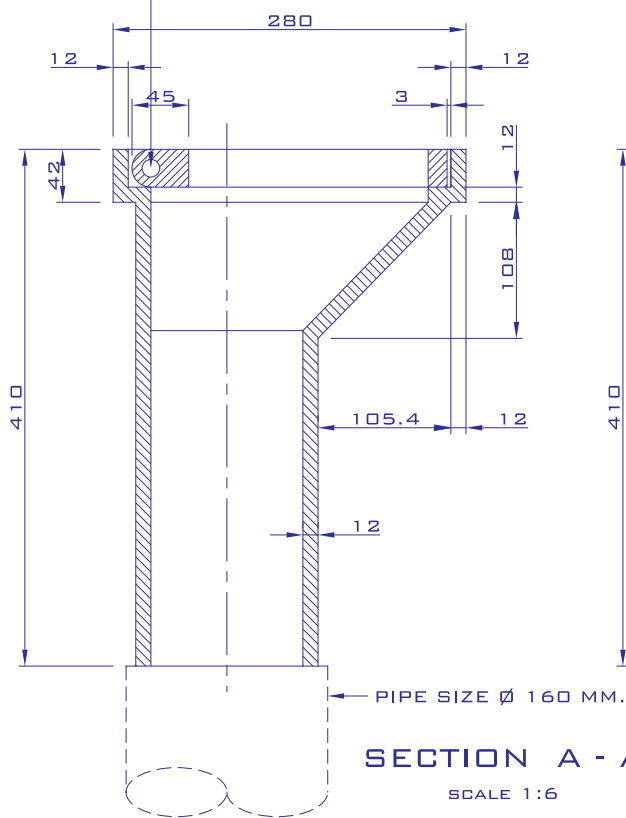
SCALE 1:6



SIDE VIEW OF GRATING

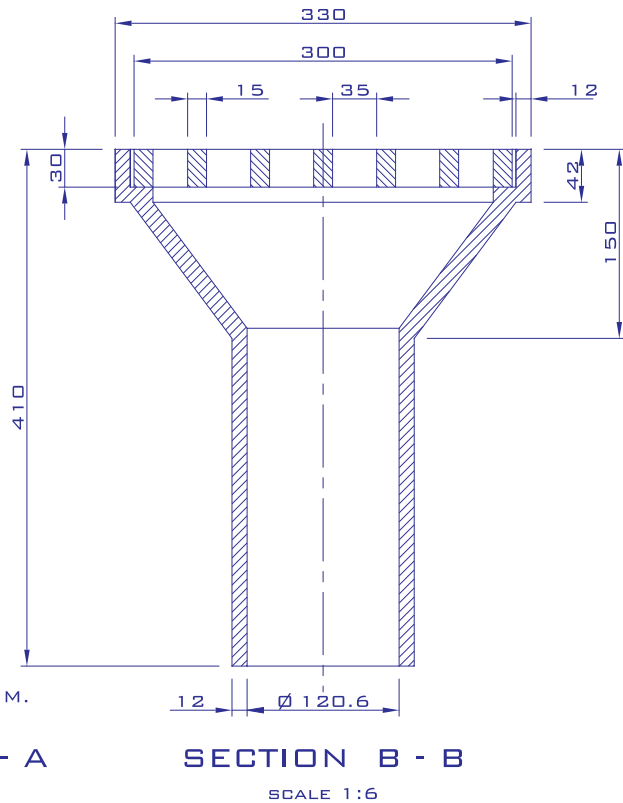
SCALE 1:6

HOLE 14 MM. FOR ALEX 12 MM.



SECTION A - A

SCALE 1:6



SECTION B - B

SCALE 1:6