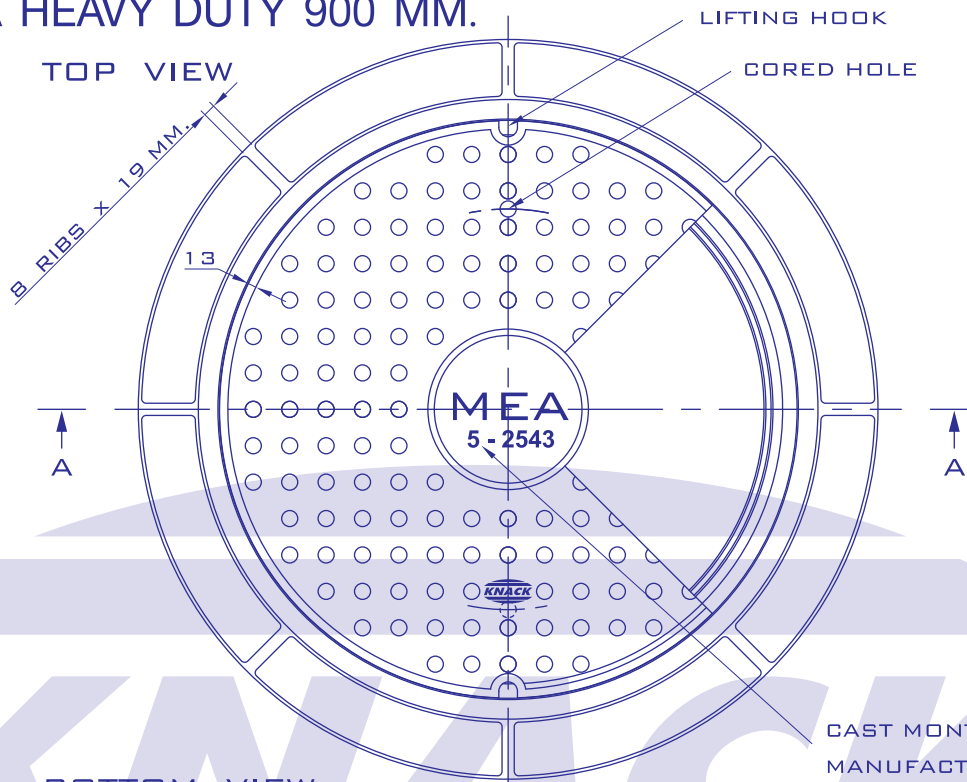


MODEL MEA HEAVY DUTY 900 MM.

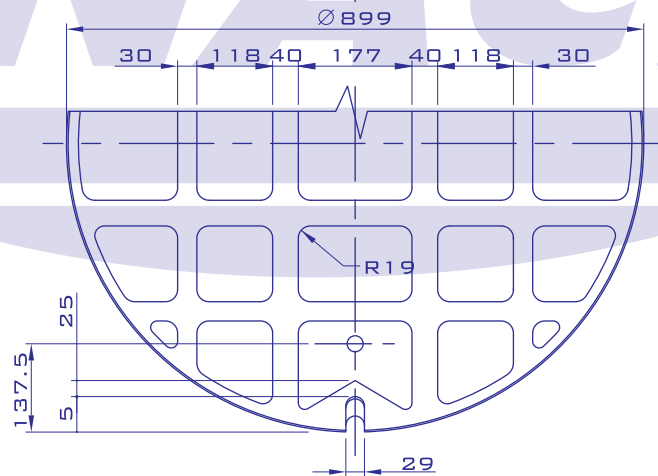
ISO 9001:2000



CERTIFICATE NO. 157505



BOTTOM VIEW



CAST MONTH AND YEAR OF MANUFACTURE WITH 25 MM. FIGURES IN 8 MM. BAS-RELIEF FLUSH, WITH SURFACE

SECTION A - A

