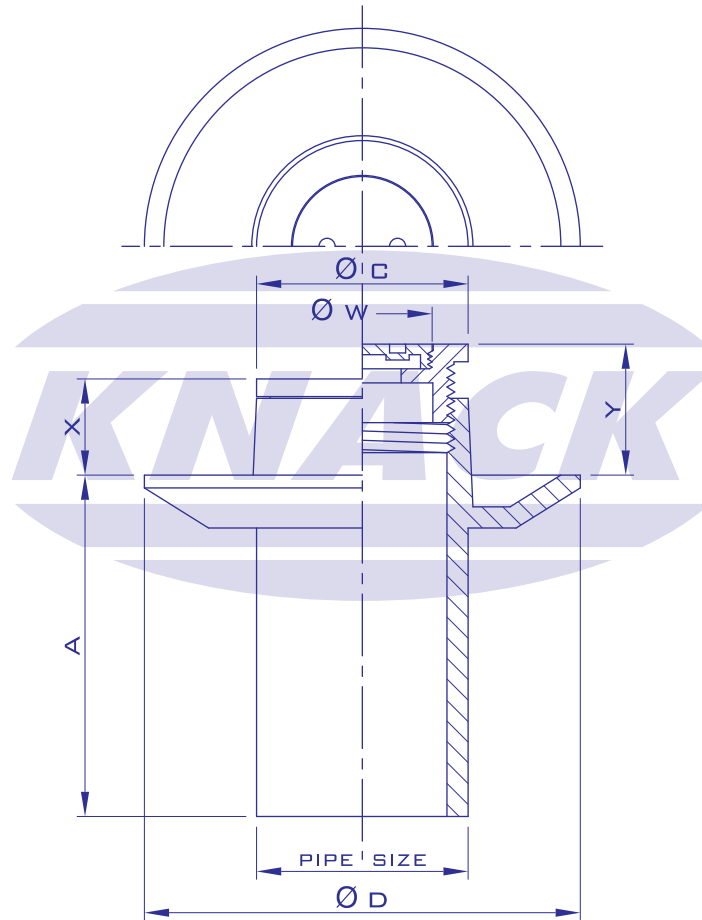


ISO 9001

BUREAU VERITAS  
Certification



## FLOOR CLEANOUT MODEL 429

### ADJUSTABLE STRAINER

Pipe Size Inch	A	C	D	W	Adjustment	
					X	Y
2	210	65	120	48	42	58
2 1/2	218	72	135	59	34	45
3	214	85	150	68	38	54
4	214	113	165	93	38	52
6	220	156	215	139	32	50
8	126	215	277	194	32	55

