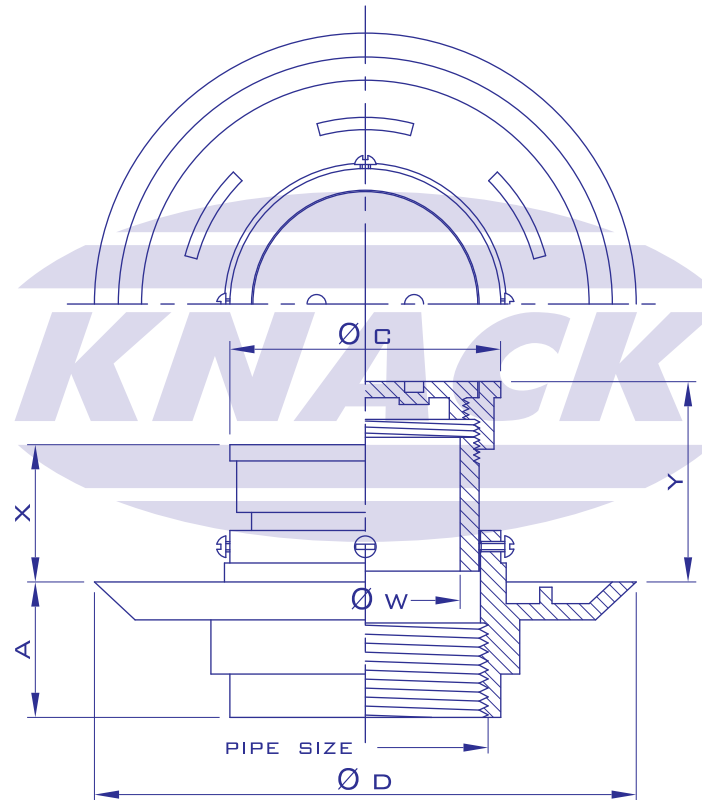


ISO 9001

BUREAU VERITAS
Certification



FLOOR CLEANOUT MODEL 422

ADJUSTABLE STRAINER

Pipe Size Inch	A	C	D	W	Adjustment	
					X	Y
2	34	68	199	46	76	82
2 1/2	34	86	214	60	86	95
3	37	99	214	74	80	90
4	44	124	256	100	80	90
5	49	183	287	152	125	144
6	49	183	287	152	125	144

