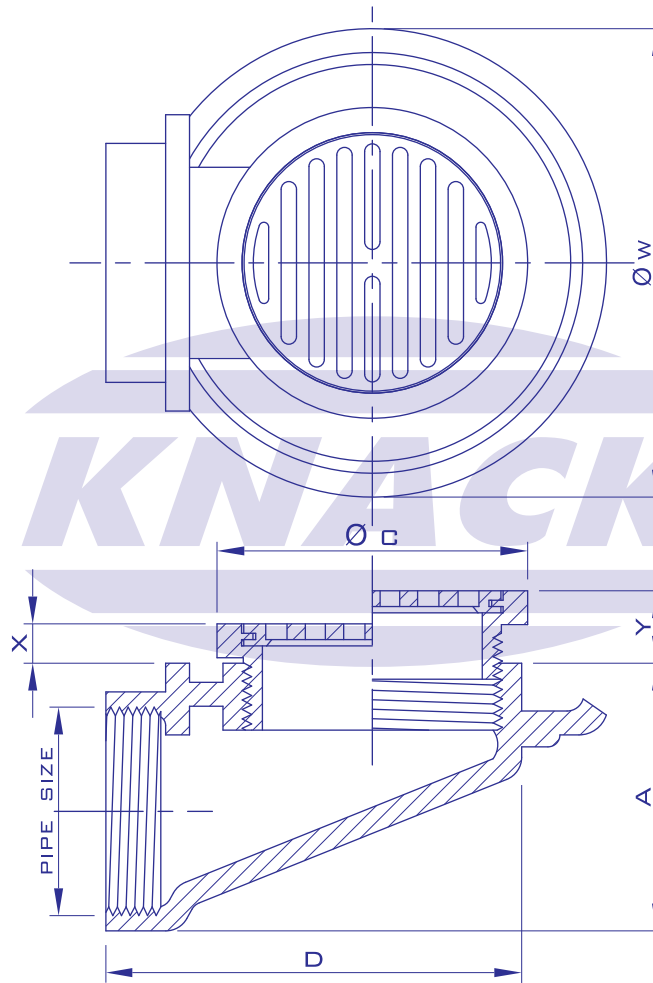


ISO 9001

BUREAU VERITAS  
Certification



**FLOOR DRAIN**

**MODEL 238**

**ADJUSTABLE STRAINER**

Pipe Size Inch	A	C	D	W	Adjustment		Free Area (mm. <sup>2</sup> )
					X	Y	
1 1/2	93	126	210	198	5	20	3100
2	93	126	210	198	5	20	3100
2 1/2	98	126	210	198	5	20	3100

