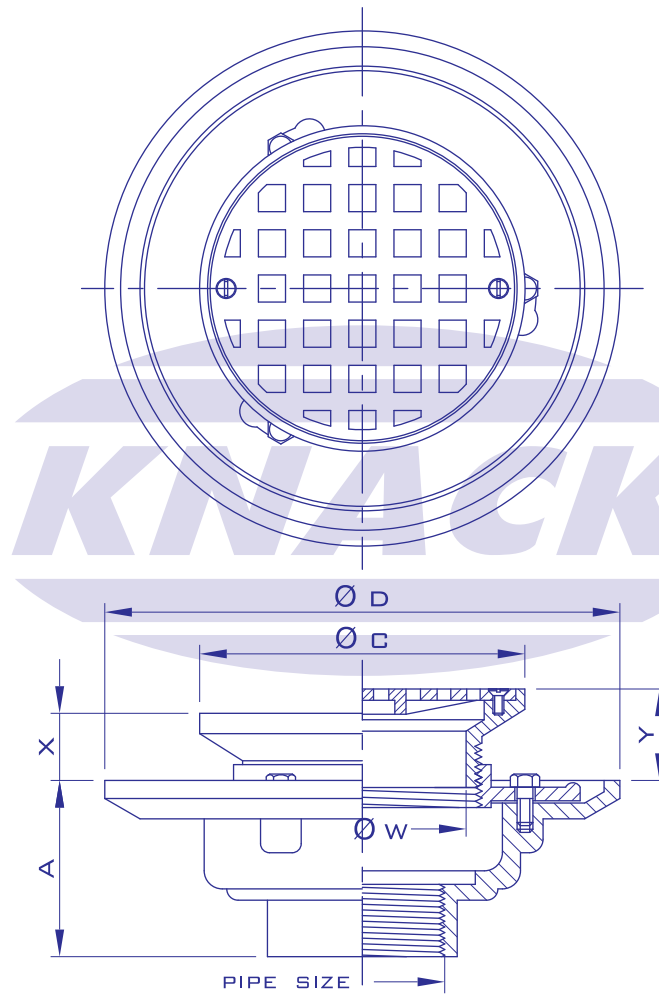


ISO 9001

BUREAU VERITAS
Certification



AREA DRAIN

MODEL 237

ADJUSTABLE STRAINER

Pipe Size Inch	A	C	D	W	Adjustment		Free Area (mm. ²)
					X	Y	
1 1/2	78	146	229	83	23	50	4200
2	78	146	229	83	23	50	4200
2 1/2	78	146	229	83	23	50	4200
3	78	146	229	83	23	50	4200
4	78	197	229	100	28	55	6800
6	103	272	330	222	35	69	15000

