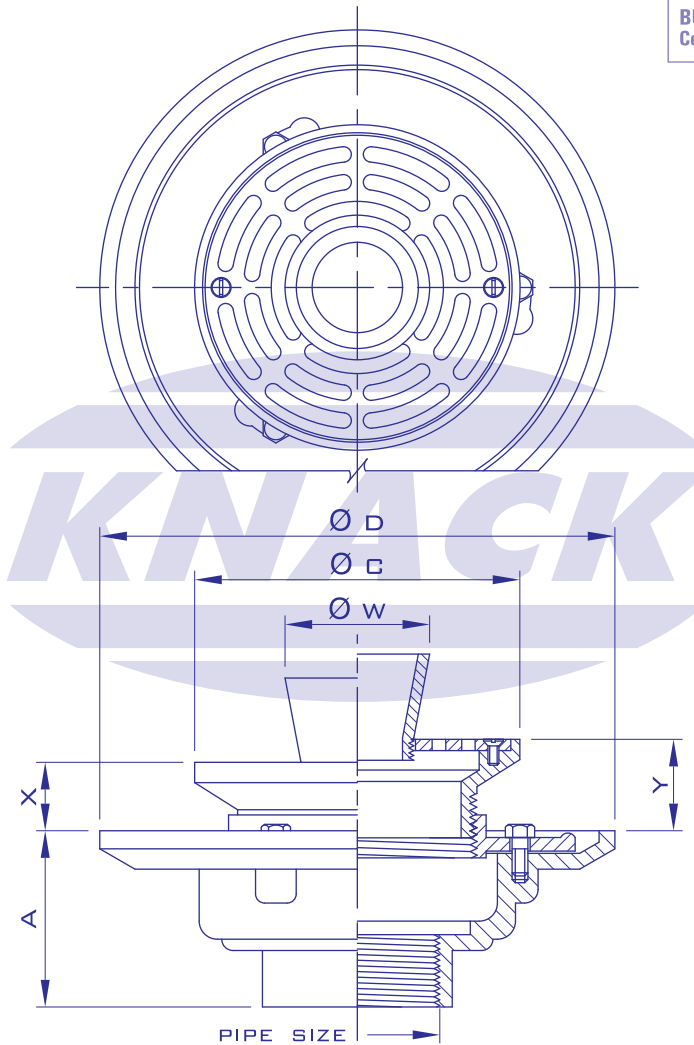


ISO 9001
BUREAU VERITAS
Certification



FUNNEL FLOOR DRAIN

MODEL 236

ADJUSTABLE STRAINER

Pipe Size Inch	A	C	D	W	Adjustment		Free Area (mm. ²)
					X	Y	
1 1/2	78	134	229	106	26	53	2200
2	78	134	229	106	26	53	2200
2 1/2	78	134	229	106	26	53	2200
3	78	134	229	106	26	53	2200
4	78	164	229	125	30	46	5400
6	78	197	268	168	30	52	6200
8	103	272	330	222	35	69	15000

