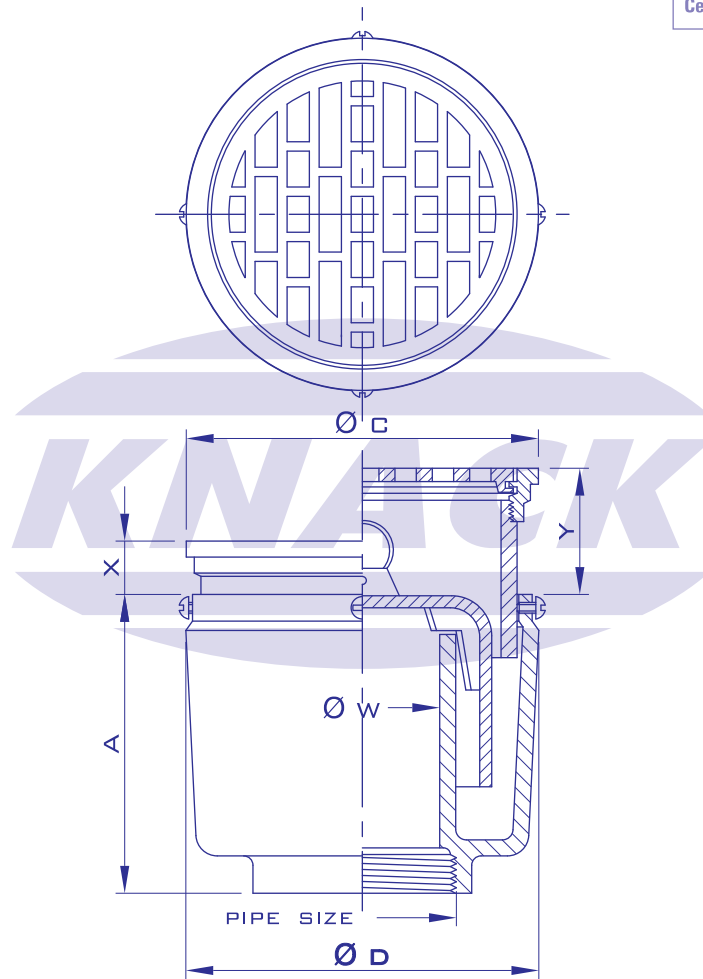


ISO 9001

BUREAU VERITAS
Certification



FLOOR DRAIN

MODEL 235

ADJUSTABLE STRAINER

Pipe Size Inch	A	C	D	W	Adjustment		Free Area (mm. ²)
					X	Y	
2	110	131	130	51	44	104	2900
2 1/2	125	160	162	65	45	120	6000
3	155	181	200	95	38	135	6200
4	155	181	200	95	38	135	6200

