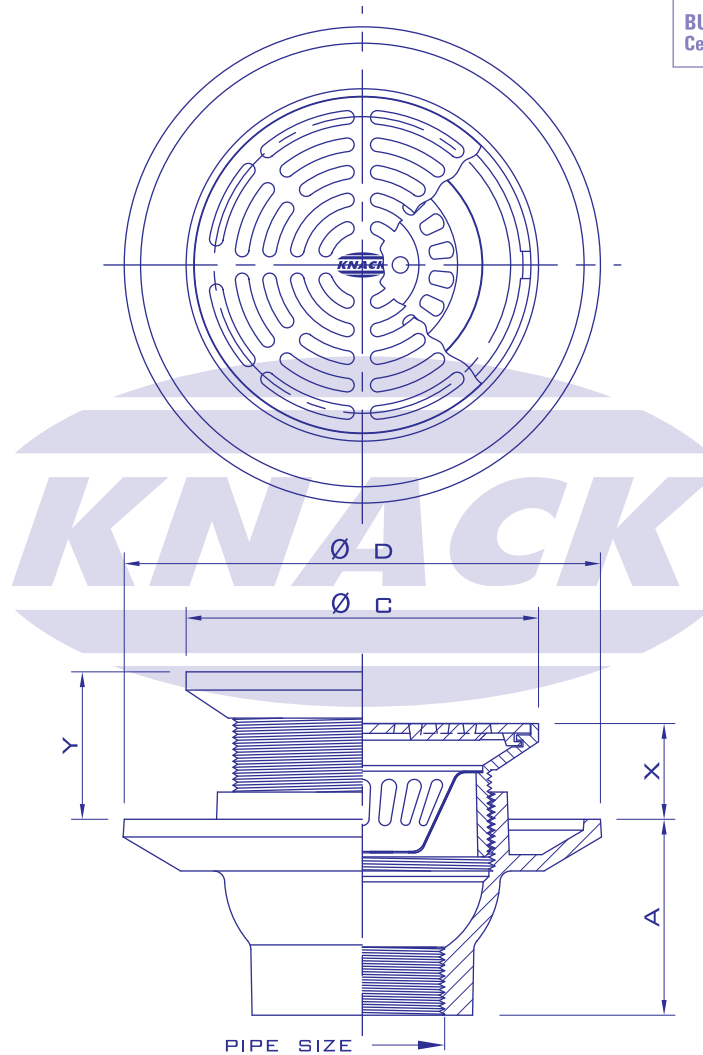


ISO 9001

BUREAU VERITAS
Certification



FLOOR DRAIN

MODEL 230 TM

ADJUSTABLE STRAINER

Pipe Size Inch	A	C	D	Adjustment		Free Area (mm. ²)
				X	Y	
2	72	129.5	175	27	57	4360
3	72	159.5	192	27	57	7600
4	75	209.5	242	27	57	13800

