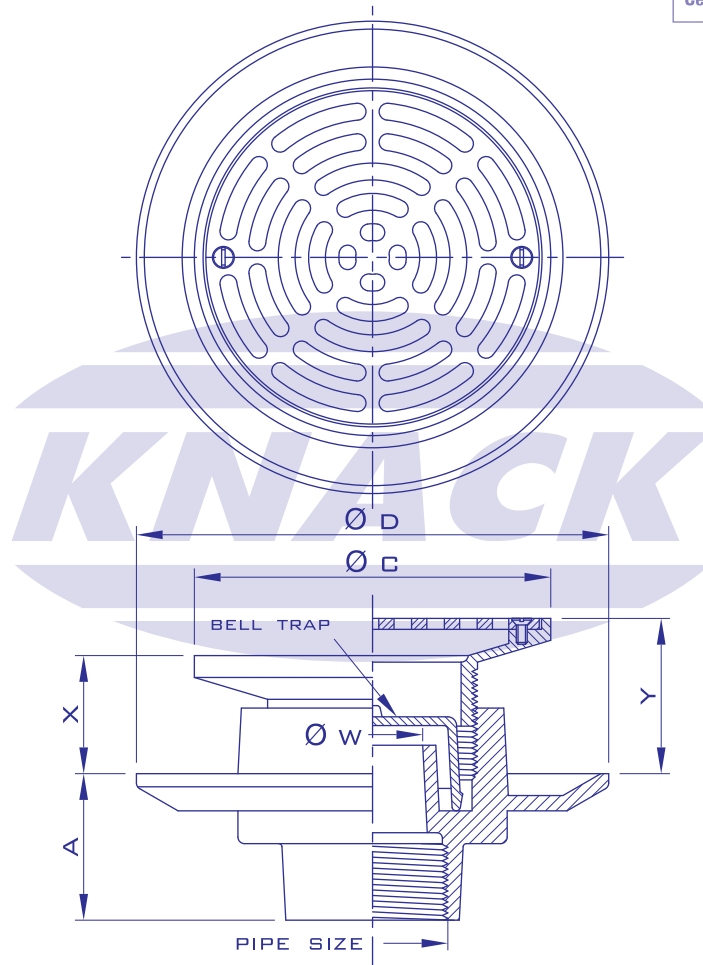


ISO 9001

BUREAU VERITAS  
Certification



**FLOOR DRAIN**

**MODEL 230 B**

**ADJUSTABLE STRAINER**

Pipe Size Inch	A	C	D	W	Adjustment		Free Area (mm. <sup>2</sup> )
					X	Y	
1 1/2	63	120	195	40	46	61	2400
2	63	120	195	40	46	61	2400
2 1/2	63	120	195	40	46	61	2400
3	63	120	195	40	46	61	2400
4	65	165	220	63	41	65	6500

