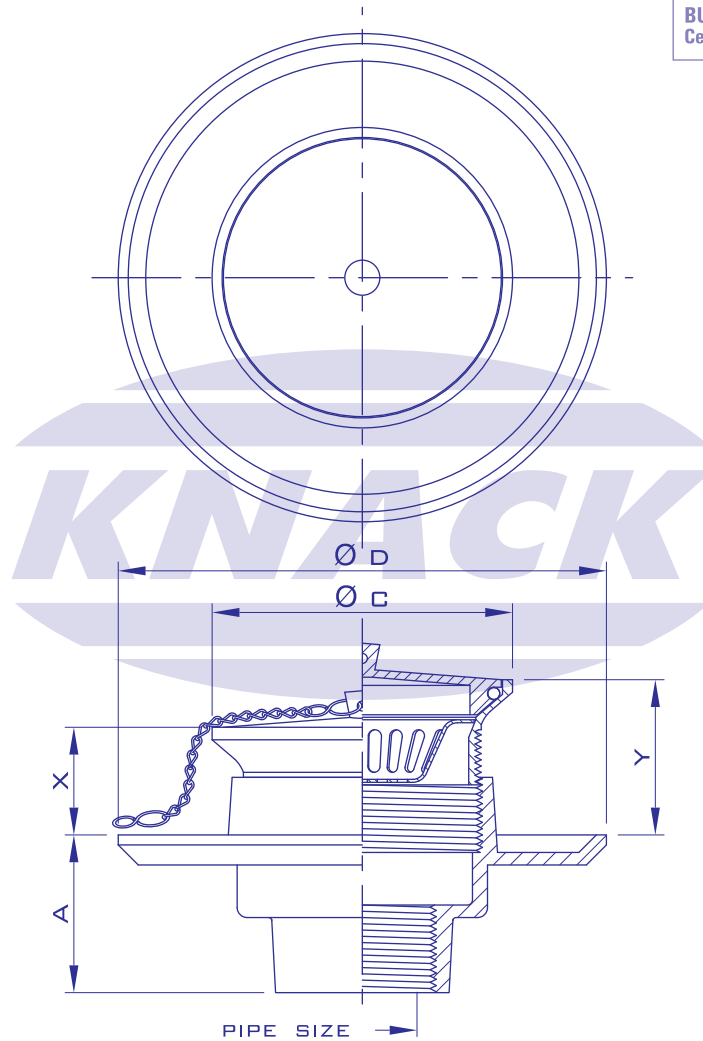


ISO 9001

BUREAU VERITAS
Certification



FLOOR DRAIN

MODEL 230-A

ADJUSTABLE STRAINER

Pipe Size Inch	A	C	D	Adjustment		Free Area (mm. ²)
				X	Y	
1 1/2	63	120	195	44	62	1880
2	63	120	195	44	62	1880
3	60	120	195	44	62	1880

