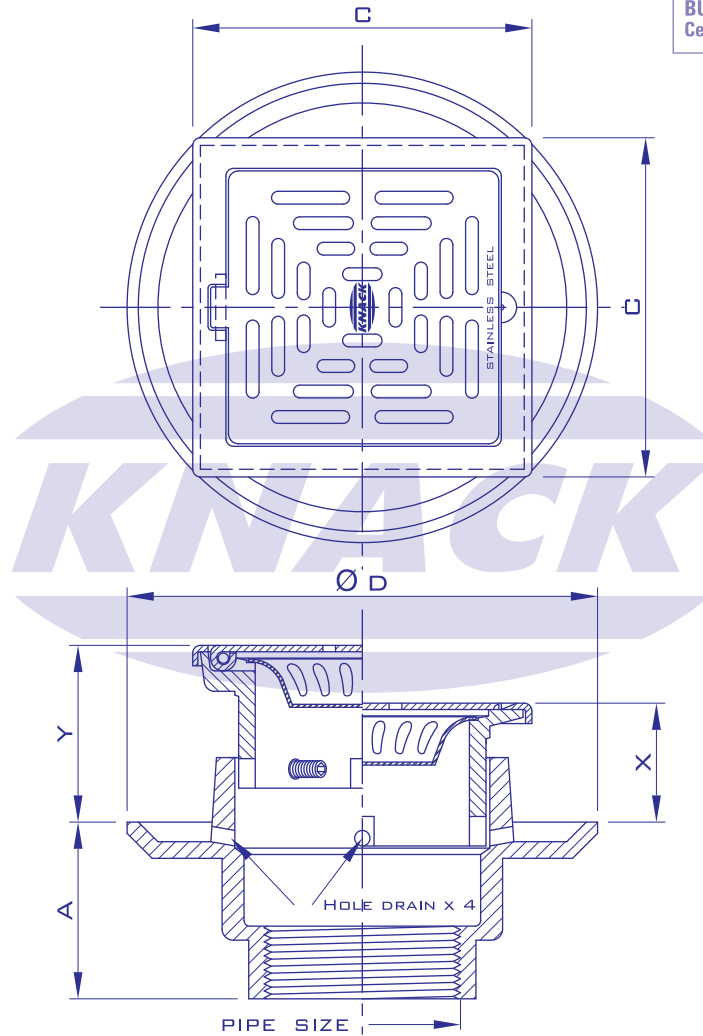


ISO 9001

BUREAU VERITAS
Certification



FLOOR DRAIN

MODEL 225 PS

ADJUSTABLE STRAINER

Pipe Size Inch	A	C	D	Adjustment		Free Area (mm. ²)
				X	Y	
2	73	133	152	44	60	2600
3	73	133	152	44	60	2600

