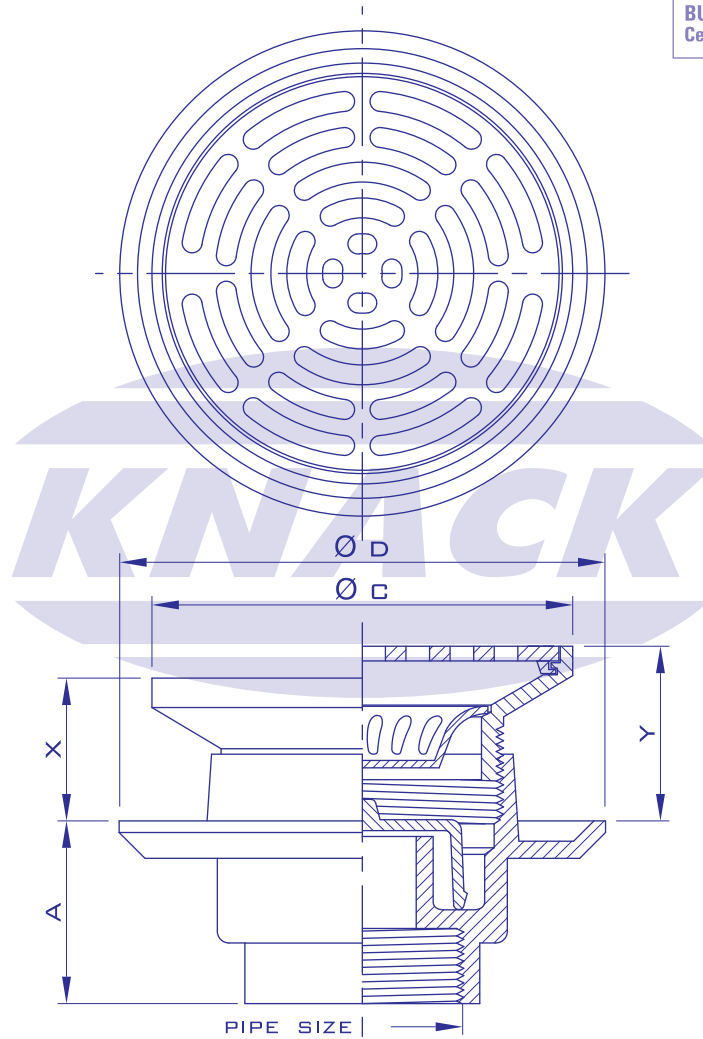


ISO 9001

BUREAU VERITAS  
Certification



**FLOOR DRAIN**

**MODEL 225 M**

**ADJUSTABLE STRAINER**

Pipe Size Inch	A	C	D	Adjustment		Free Area (mm. <sup>2</sup> )
				X	Y	
2	73	120	152	44	60	2400
2 1/2	73	120	152	44	60	2400
3	73	120	152	44	60	2400

