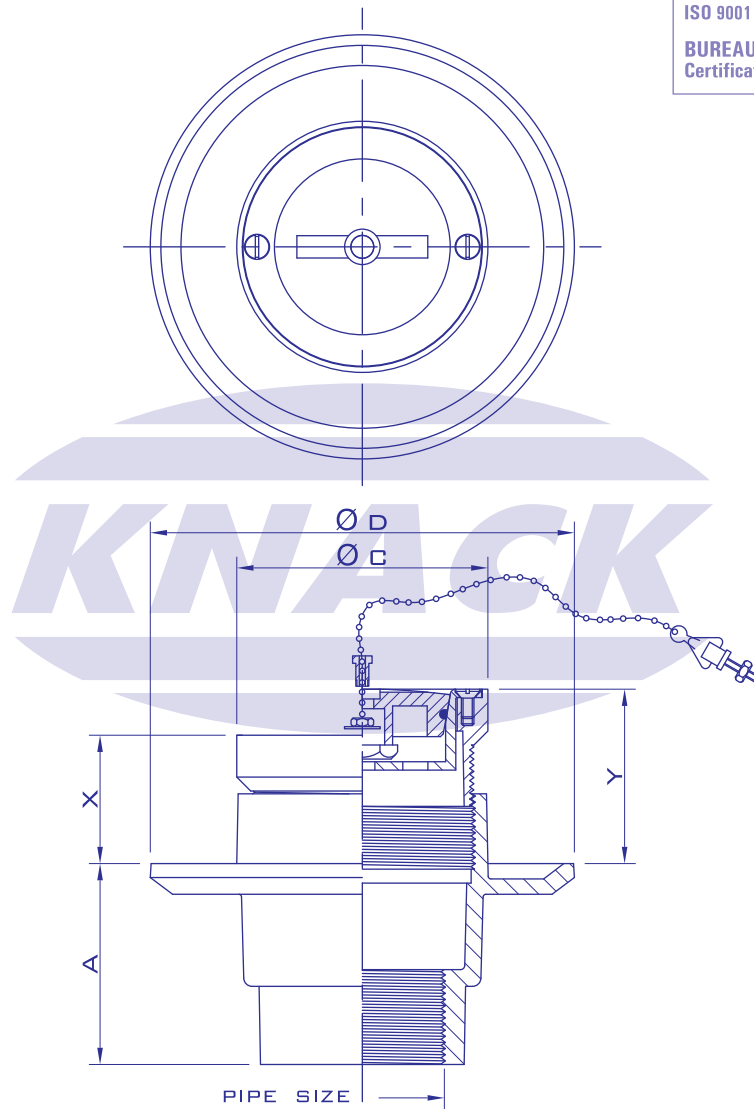


ISO 9001

BUREAU VERITAS  
Certification



**FLOOR DRAIN**

**MODEL 225-A**

**ADJUSTABLE STRAINER**

| Pipe Size<br>Inch | A  | C  | D   | Adjustment |    | Free Area<br>(mm. <sup>2</sup> ) |
|-------------------|----|----|-----|------------|----|----------------------------------|
|                   |    |    |     | X          | Y  |                                  |
| 2                 | 72 | 90 | 152 | 46         | 64 | 870                              |
| 3                 | 72 | 90 | 152 | 46         | 64 | 870                              |

