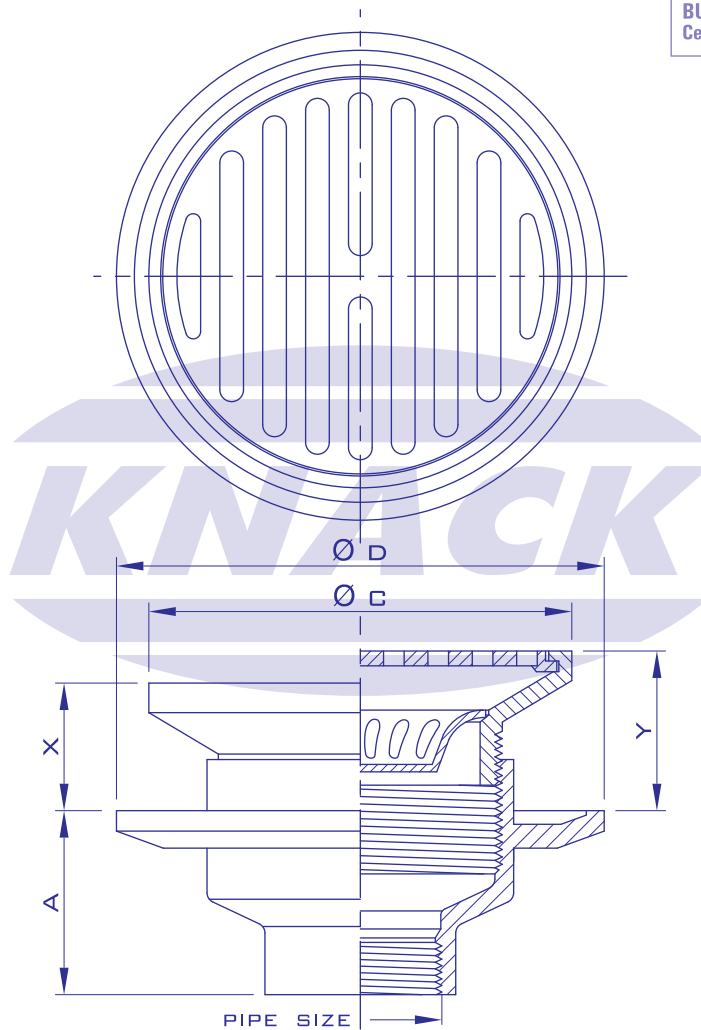


ISO 9001

BUREAU VERITAS
Certification



FLOOR DRAIN

MODEL 224 P

ADJUSTABLE STRAINER

Pipe Size Inch	A	C	D	Adjustment		Free Area (mm. ²)
				X	Y	
1 1/2	58	121	130	34	50	3500
2	58	121	132	32	48	3500
2 1/2	58	121	132	32	48	3500
3	58	121	132	32	48	3500
4	71	158	178	37	66	5000

