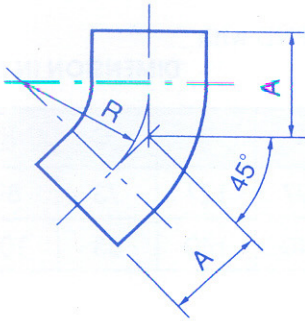


ข้องอ 45°

ONE - EIGHTH BEND

DIMENSION IN MM.

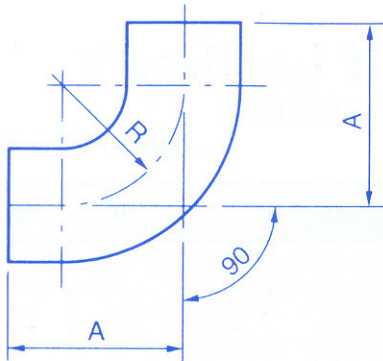


SIZE (Inches)	A	R
2	50	48
3	60	63
4	79	102
6	90	127
8	110	152

ข้องอ 90°

ONE - QUARTER BEND

DIMENSION IN MM.

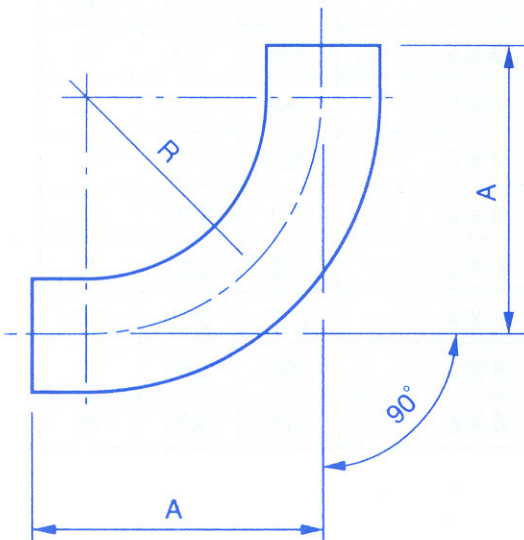


SIZE (Inches)	A	R
2	75	48
3	95	63
4	140	102
6	145	127
8	175	152

ข้อโค้ง 90°

LONG SWEEP BEND

DIMENSION IN MM.



SIZE (Inches)	A	R
2	241	203
3	254	216
4	267	229