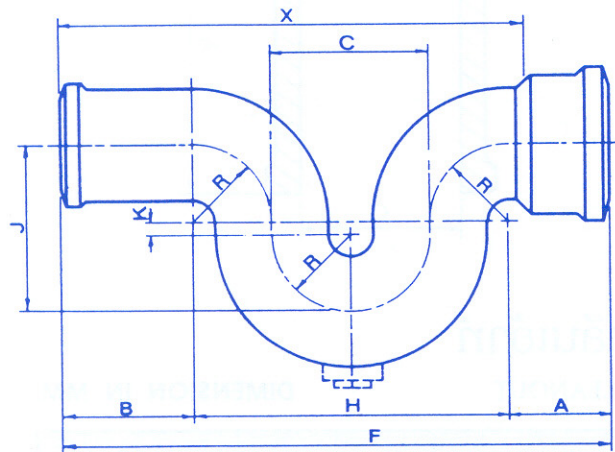


**กันเหม็นตัว S**

S TRAP with CLEANOUT

DIMENSION IN MM.

| SIZE (Inches) | A   | B   | J   | K  | R  | X   |
|---------------|-----|-----|-----|----|----|-----|
| 2             | 76  | 89  | 203 | -  | 51 | 102 |
| 3             | 114 | 114 | 254 | 13 | 64 | 146 |
| 4             | 140 | 140 | 305 | 13 | 76 | 191 |



**กันเหม็นตัว U**

RUNNING TRAP with CLEANOUT

DIMENSION IN MM.

| SIZE (Inches) | A  | B   | C   | F   | H   | J   | K  | R  | X   |
|---------------|----|-----|-----|-----|-----|-----|----|----|-----|
| 2             | 76 | 89  | 102 | 368 | 203 | 102 | -  | 51 | 305 |
| 3             | 83 | 114 | 127 | 451 | 254 | 140 | 13 | 64 | 381 |
| 4             | 89 | 127 | 152 | 521 | 305 | 165 | 13 | 76 | 445 |